



BR 28k · Head Station with piggable shut-off Ball Valve DIN and ANSI-Version



Applications

Stainless steel valve as head station in One-pig and Two-pig systems:

- **Nominal diameters DN 50 to 200 and NPS2 to 8**
- **Nominal pressure PN 25, PN 40 as well as cl150 and cl300**
- **Temperatures -10 °C to +200 °C (14 °F to 392 °F)**

The valve consists of a pipe section equipped with the necessary connections for the pigging control, a BR 28e pig loading ball valve with blind hole and a BR 28y piggable ball valve as the end body of the head station.

Thanks to the integrated shut-off ball valve, the valve considerably simplifies pig input and pig output. It consists of a welded main body with integrated ball valve body and bolted main body of the pig loading and shut-off ball valve.

Special features are:

- Floating ball, i.e. both seat rings sealing or double-guided ball
- Seat rings, spring-loaded by disc springs
- Control shaft sealed by a V-ring packing loaded by a disc spring set
- Blow out proof shaft
- Anti static version with conductive shaft bearing
- Piggable flanges in the passage of the ball valve to DIN 2430-2 with projection. Non-piggable flanges are designed in accordance with DIN EN 1092-1 with sealing strip B1 or according to customer-specific requirements.
- Connections for actuators according to DIN ISO 5211

Versions

The valve fulfils the following functions for the different types of designs:

- As a Head station in a **One-/ Two-pig system**
- As a Head station in a **One-pig system**

Special versions

- With pigging indicator tab for automatic systems for mounting magneto-inductive pigging sensors
- With pigging sensing devices for manual detection
- Rinsing function for pigs

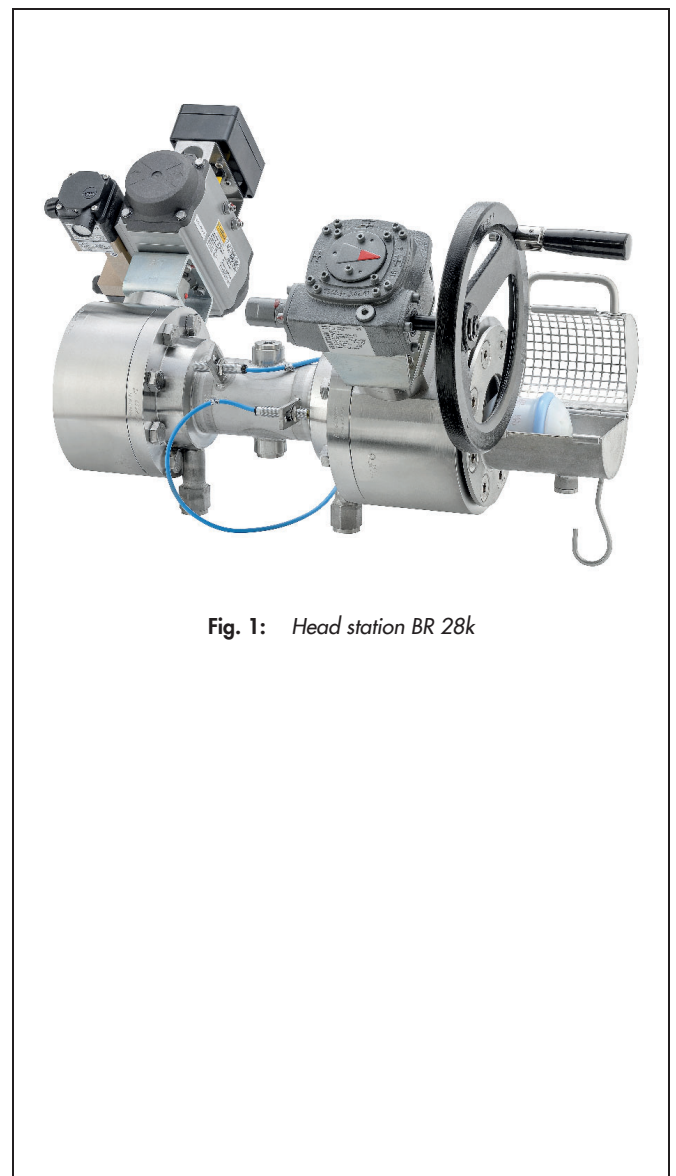


Fig. 1: Head station BR 28k

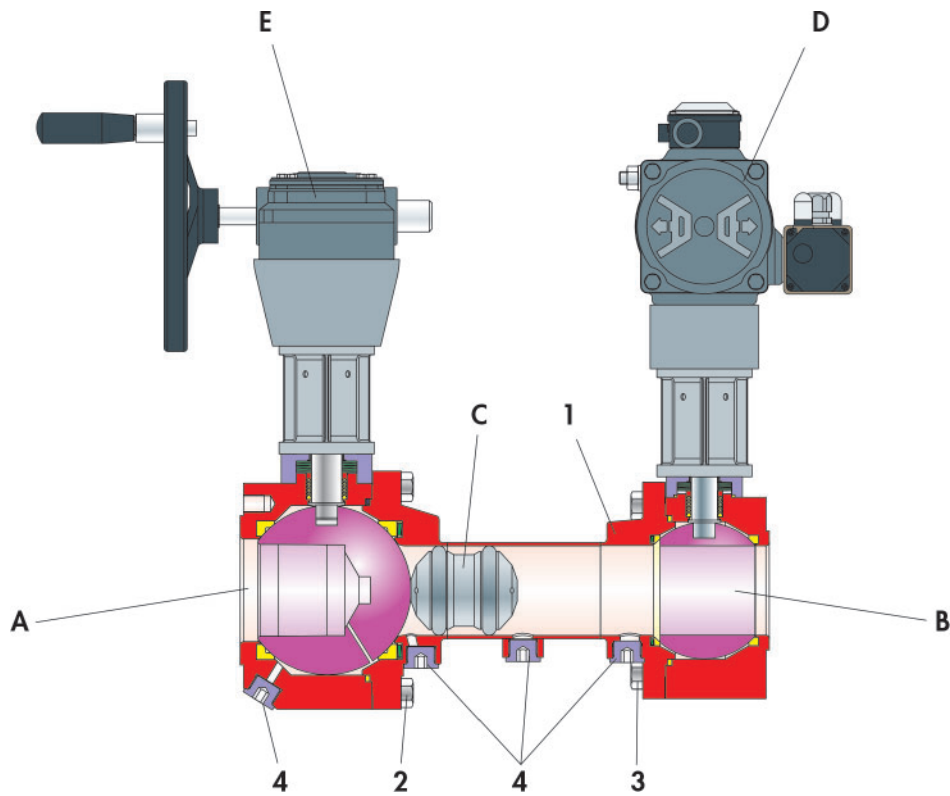


Fig. 2: Sectional drawing of BR 28k head station

Table 1: Parts list of the main components of the BR 28k head station

Item	Description ¹⁾	Associated documents
1	Main body	-
2	Screw	-
3	Screw	-
4	Screw plug	-
A	Pig loading ball valve BR 28e	Data sheet ► TB 28e Mounting and operating instructions ► EB 28e
B	Piggable ball valve BR 28y	Data sheet ► TB 28y Mounting and operating instructions ► EB 28y Safety manual ► SH 28y
C	Pig BR 28m	Data sheet ► TB 28m Mounting and operating instructions ► EB 28m
D	Rotary actuator BR 31a	Data sheet ► TB 31a Mounting and operating instructions ► EB 31a Safety manual ► SH 31a
E	Hand-lever or manual gearbox 180°	Documentation of the respective manufacturer
Not drawn	Control unit BR 28s (is required to control the head station). This is connected to the respective connections (4).	Data sheet ► TB 28s Mounting and operating instructions ► EB 28s

¹⁾ Other versions are available on request

i Info

For safety reasons, an automation to the BR 28e Piggig head station should be avoided at all times!

Additional equipment and add-on pieces

The following accessories are available for the valve, either separately or in combination::

- **Pig loading ball valve BR 28e**
 - Hand-lever (180°)
 - Manual gearbox (180°)
 - Shaft extension (100 mm standard)
 - Limit switch
 - Pig-dockin with/without cover

- **Piggable ball valve BR 28y**
 - Hand-lever (90°)
 - Manual gear-box (90°)
 - Shaft extension (100 mm standard)
 - Limit switch
 - Solenoid valves
 - Positioner
 - Supply air pressure regulator/filter

Further accessories are available according to customer specifications.

Dimensions and Weights

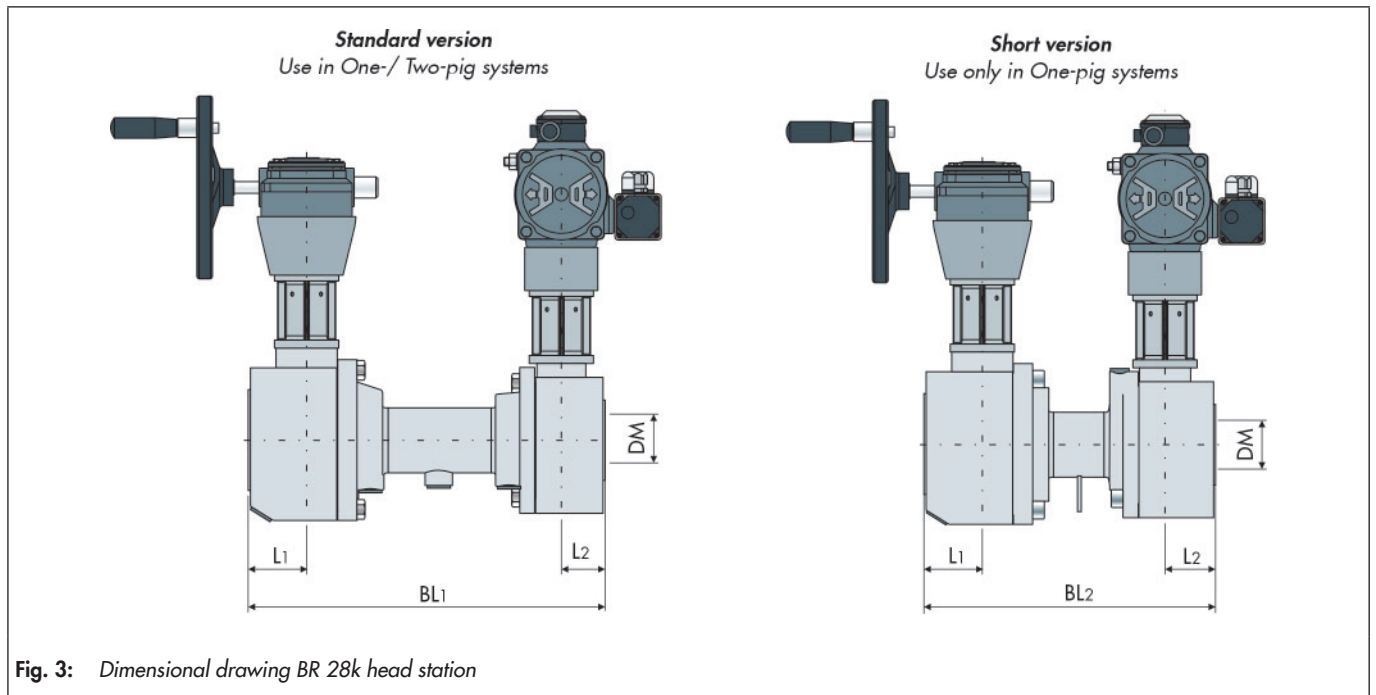


Fig. 3: Dimensional drawing BR 28k head station

Table 2: Dimensions in mm and weights in kg

Nominal size		DN 50	DN 80	DN 100	DN 125	DN 150	DN 200
		NPS2	NPS3	NPS4	NPS5	NPS6	NPS8
DM		54.5	82.5	107.1	131.7	159.3	206.5
Standard	BL1	340	485	630	765	981	1230
Short	BL2	-	400	502	-	-	-
	L1	56.5	80	95	118	130	174
	L2	52	60	101	102	130	174
BR 28e	Manual gearbox	GS 40.2	GS 40.2	GS 63.2	GS 63.2	GS 63.2	GS 63.2
	DIN ISO connection	F07/F07	F07/F07	F10/F10	F12/F10	F14/F07	F14/F07
BR 28y	Rotary actuator	DAP 100	DAP 220	DAP 450	DAP 600	DAP 900	DAP 1200
	DIN ISO connection	F07/F07	F07/F10	F07/F12	F12 / F12	F14/F14	F14/F14
Standard	Weights without actuator ca. kg	ca. 40	ca. 60	ca. 95	ca. 140	ca. 185	ca. 740
Short		-	ca. 55	ca. 90	-	-	-

i Info

For missing dimensions, please refer to data sheets ► TB 28e for the head station with pig loading ball valve BR 28e and ► TB 28y for the piggable ball valve BR 28y.

Selection and sizing of the head station

1. Determine the nominal diameter
2. Selection of valve
 - Head station with pig loading ball valve BR 28e in compliance with data sheet ▶ TB 28e
 - Piggable ball valve BR 28y in compliance with data sheet ▶ TB 28y
3. Selecting the actuation type
 - Manual gearbox for BR 28e head station in compliance with the respective data sheet
 - Rotary actuator for ball valve BR 28y, e.g. PFEIFFER Quarter-turn actuator BR 31a in compliance with the Data sheet ▶ TB 31a
4. Select additional equipment / accessories

Ordering text

Head station Type:	BR 28e
Nominal size:	DN/NPS
Nominal pressure:	PN/Class
Optional special version:
Limit switch (brand name):
Solenoid valve (brand name):
Others:

Associated documents

- Head station BR 28k
 - Associated Mounting and operating instructions ▶ EB 28k
 - Associated Safety manual ▶ SH 28k
- Pig loading ball valve BR 28e
 - Associated Data sheet ▶ TB 28e
 - Associated Mounting and operating instructions ▶ EB 28e
- Piggable ball valve BR 28y
 - Associated Data sheet ▶ TB 28y
 - Associated Mounting and operating instructions ▶ EB 28y
 - Associated Safety manual ▶ SH 28y
- Control unit BR 28s
 - Associated Data sheet ▶ TB 28s
 - Associated Mounting and operating instructions ▶ EB 28s

Info

All relevant details regarding the version ordered, which deviate from the specified version in this technical description data, can be taken, if required, from the corresponding order confirmation.
